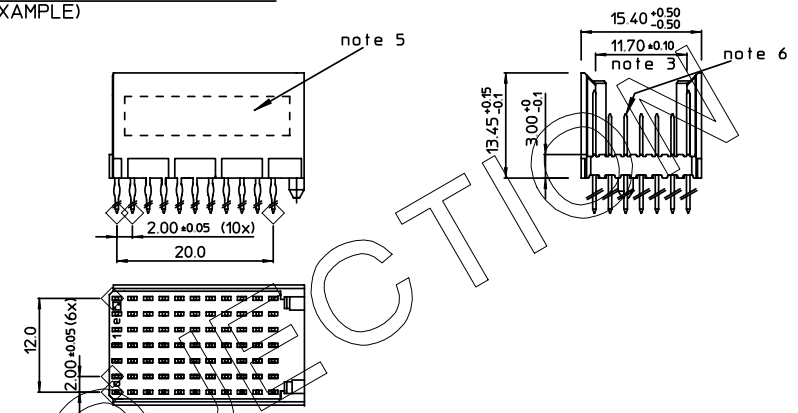


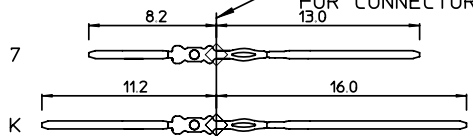
LOADING PATTERN MATING SIDE

f	K	K	K	K	K	K	K	K	K	K
e	7	7	7	7	7	7	7	7	7	7
d	7	7	7	7	7	7	7	7	7	7
c	7	7	7	7	7	7	7	7	7	7
b	7	7	7	7	7	7	7	7	7	7
a	7	7	7	7	7	7	7	7	7	7
z	K	K	K	K	K	K	K	K	K	K
POS	01			05						10

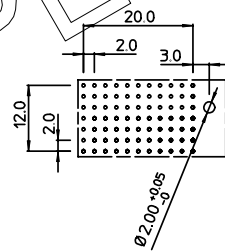
LOADED CONNECTOR ASSEMBLY (FOR EXAMPLE)



CONTACT OVERVIEW SEATING PLANE FOR CONNECTOR



LAY-OUT P.C.B.-HOLE



LEAD FREE INDICATOR : LF = LEAD FREE (DIGIT 15 & 16)

HM2P09PK5114

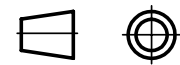
PLATING CODE (DIGIT 13 AND 14) (REF DWG No. BS,C ,201844,003)

NOTES:

1. THIS PRODUCT IS CSA APPROVED.
2. THIS PRODUCT IS UL RECOGNIZED.
3. MEASURED AT THE BOTTOM.
4. MATERIAL CONTACT: PHOSPHORBRONZE  
HOUSING: CREAM WHITE GLASSFILLED POLYESTER UL-94V0
5. CONNECTOR PRINTED WITH P/N AND DATE CODE.
6. FOR ACTUAL CONTACT LOADINGS, SEE LOADING PATTERN MATING SIDE.
7. SHAPE OF CONNECTOR HOUSING CAN ALTER DEPENDING ON PRODUCTION LOCATION.
8. THE PRODUCT (LF) MEETS EUROPEAN UNION DIRECTIVES AND OTHER COUNTRY REGULATIONS AS DESCRIBED IN GS-22-008
9. FOR RECOMMENDED PTH DIMENSIONS REFER DRAWING : BS.A ,201572,001

EUROPEAN PROJECTING

1DEC ±0.2 2DEC ±0.1 ANGLES ±1°	APPR.	DATE	SIGN.	MILLIPACS 2 LOADING PATTERN
	DRAFT	1994-09-05	M.Fret	
	CHECKED			
WE RESERVE THE RIGHT TO CHANGE DIMENSIONS OR REQUIREMENTS WITHOUT PRIOR NOTICE.	PROD_MGR			CAT. No. HM2P09PK5114----
	PR_ENG_MGR			www.fciconnect.com
	PR_MGT_MGR			
ALL DIMENSIONS IN MM				SCALE



REFERENCES

BS,C ,201843,160 D  
DRAWING No. CUSTOMER DRAWING REVISION